

4-Panel Screening Machine

Description

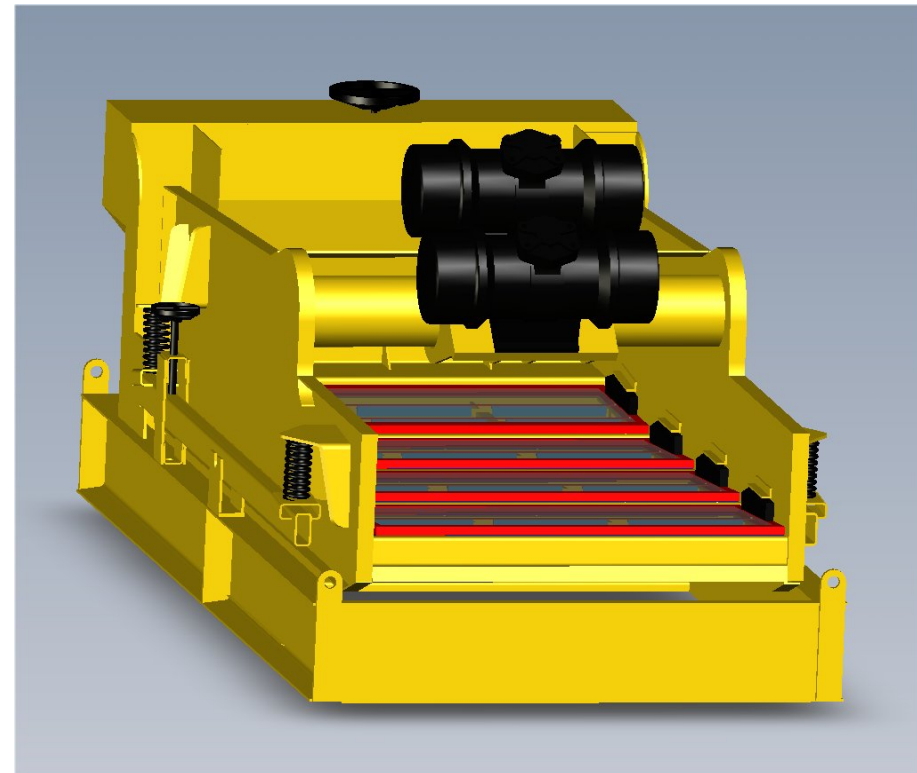
The ITE 4-Panel Screening Machine **4PSM** is designed to dewater heterogeneous solid-liquid mixtures.

With a G-force of up to 6.3 G the installed panel screens are set into motion, hereby dewatering the slurry and separating the solid particles from the liquid.

The achieved cut-point is subject to the screens used. Coarse screens are available in polyurethane from 11 x 3.5 mm down to 11 x 0.3 mm and fine screens made of stainless steel from 70 Mesh (210 µm/0.21 mm) down to 325 Mesh (45 µm/0.045 mm).

Characteristics

- Very efficient screening capabilities even down to the critical range of 100 to 45 µm.
- Equipped with 4 screen panels on one level. Screen panels are available in wire woven stainless steel and polyurethane subject to application.
- Changeable screen angle appliance for a flexible adjustment of the screen deck subject to the changing soil conditions.
- Due to the hammer wedge attachment the screens are easy to change in very short time.



III. 1: 4PSM Screening machine

Transport Dimensions

- Length: 3410 mm
- Width: 1690 mm
- Height: 1620 mm
- Weight: approx. 2380 kg



III. 2: Screen Angle adjustment

Technical Specifications

• Vibration Motors

- Number of motors: 2 nos.
- Power: 2 x 2.2 kW = 4.4 kW
- Voltage: 400 V / 50 Hz

• Panel Screens

- Number of screens: 4 nos.
- Kind of motion: linear
- Screen area: 3.2 m²
- Angle adjustment: -3° to +7°

• Screen Selection

Wire woven screens, stainless steel

- Panel Screen 070 Mesh / 210 µm / 0.21 mm
- Panel Screen 115 Mesh / 130 µm / 0.13 mm
- Panel Screen 145 Mesh / 100 µm / 0.1 mm
- Panel Screen 180 Mesh / 80 µm / 0.08 mm
- Panel Screen 215 Mesh / 70 µm / 0.07 mm
- Panel Screen 255 Mesh / 60 µm / 0.06 mm
- Panel Screen 325 Mesh / 45 µm / 0.045 mm

Polyurethane

- Panel Screen Coarse PU 11 x 3.5 mm
- Panel Screen Coarse PU 11 x 1.5 mm
- Panel Screen Coarse PU 11 x 0.7 mm
- Panel Screen Coarse PU 11 x 0.3 mm

Also customized solutions can be realized.

• Applications

- Slurries in the construction sector (e.g. tunnelling, horizontal and vertical drillings)
- Industrial slurries (e.g. coke dust, tar oil, fibreglass water mixtures)
- Agriculture (e.g. cleaning and dewatering of dairy-farm waste pits or organic waste)
- Slurry dewatering in sand and gravel processing

