

Double Deck Screening Machine *Kaskade 2 Deck (K2D)*

Description

The ITE screening machine K2D is a very compact and unique machine and is designed to dewater heterogeneous solid-liquid mixtures (so-called slurries).

With a G-force of up to 4.9 G the installed panel and hook-strip screens are set into motion, hereby dewatering the slurry and separating the solid particles from the liquid.

The achieved cut-point is subject to the screens used. Screens are available from 4 Mesh (4800 μm /4.8 mm) down to 325 Mesh (45 μm /0.045 mm).

III.: Panel Screen (Lower deck)

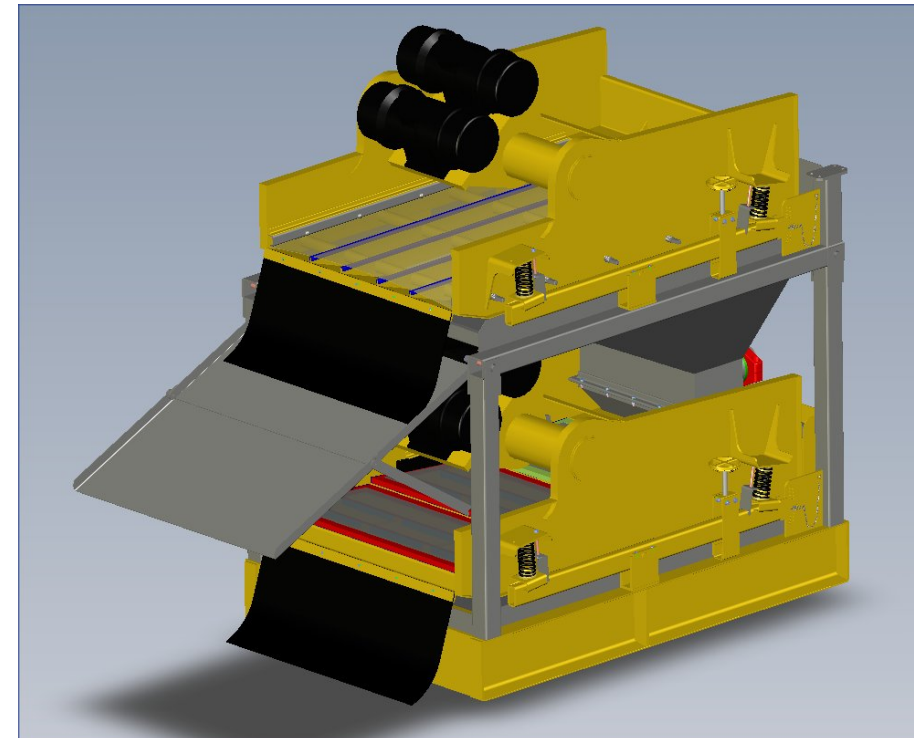


III.: Hook-strip screen (Upper deck)



Characteristics

- One scalping machine at the top level and one dewatering machine at the lower level. Capable to remove particles from 3 mm down to 45 μm .
- Changeable screen angle appliance for a flexible adjustment of the top and lower deck subject to the changing soil conditions.
- Due to the hammer wedge attachment the screens are easy to change in very short time.



Transport Dimensions

- Length: 3020 mm
- Width: 1740 mm
- Height: 3805 mm
- Weight: approx. 4 t



III.: Screen angle adjustment

Technical Specifications

• Vibration Motors

- Total installed: 4 nos.
- Power: 2 x 2.2 kW (Upper Deck)
+ 2 x 2.2 kW (Lower Deck) = 8.8 kW
- Voltage: 400 V / 50 Hz

• Hook-strip Top Deck

- Number of screens: 1 nos.
- Kind of motion: linear
- Screen area: 2.4 m²
- Angle adjustment: -3° to +6°

• Panel Screens (Lower Deck)

- Number of screens: 3 nos.
- Kind of motion: linear
- Screen area: 2.4 m²
- Angle adjustment: -3° to +7°

• Screen Selection

- Hook-strip screen top deck K2D 004 Mesh / 4800 µm / 4.8 mm **to**
- Hook-strip screen top deck K2D 030 Mesh / 600 µm / 0.60 mm
- Panel screen 012 Mesh / 1680 µm / 1.68 mm **to**
- Panel screen 325 Mesh / 45 µm / 0.045 mm

The wire woven screens are typically made from stainless steel but are also available in Polyurethane. Also customized solutions can be realized.

• Applications

- Slurries in the construction sector (e.g. tunnelling, horizontal and vertical drillings)
- Industrial slurries (e.g. coke dust, tar oil, fibreglass water mixtures)
- Agriculture (e.g. cleaning and dewatering of dairy-farm waste pits or organic waste)
- Slurry dewatering in sand and gravel processing

